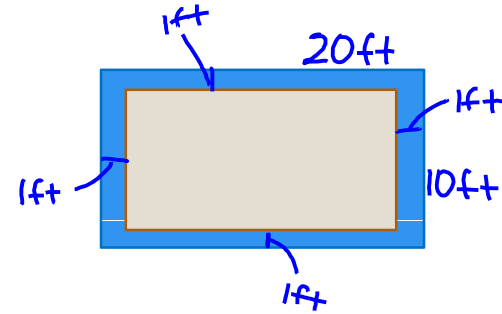


4.9 Area Problems

Find the area of the blue part.



Example.

A rectangular flower garden is 8 ft longer than it is wide. It is surrounded by a brick sidewalk 2 ft wide. The area of the sidewalk is 176 square feet. Find the dimensions of the flower garden.

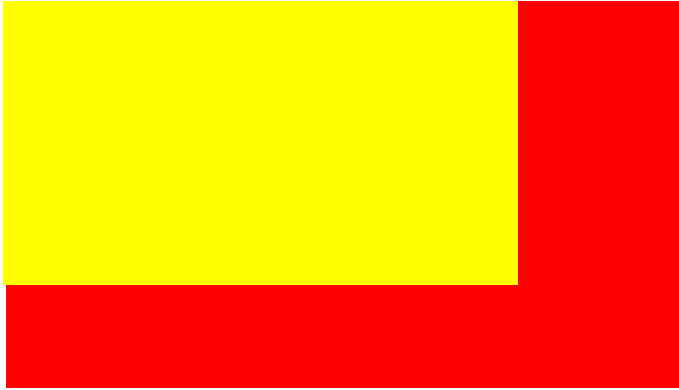


Example.

A rectangular flower garden is 8 ft longer than it is wide. It is surrounded by a brick sidewalk 2 ft wide. The area of the sidewalk is 176 square feet. Find the dimensions of the flower garden.

Practice #1

A rectangle is twice as long as it is wide. If its length and width are both decreased by 4 cm, its area is decreased by 164 square cm. Find its original dimensions



Practice #1

A rectangle is twice as long as it is wide. If its length and width are both decreased by 4 cm, its area is decreased by 164 square cm. Find its original dimensions

Practice #2

A rectangle is 12 cm longer than it is wide. If its length and width are both decreased by 2 cm, its area is decreased by 108 cm². Find the original dimensions.



Practice #2

A rectangle is 12 cm longer than it is wide. If its length and width are both decreased by 2 cm, its area is decreased by 108 cm². Find the original dimensions.